

LEVIFLOW® Ultrasonic Technology Clamp-On Flowmeters for Flexible Tubing



LFSC-iX Clamp-On Flowmeters

LFSC-i06X: 1/8x1/4", 1 l/min

LFSC-i10X: 1/4x3/8", 4 l/min

LFSC-i16X: 3/8x5/8", 20 l/min

LFSC-i19X: 1/2x3/4", 50 l/min

LFSC-i25X: 3/4x1", 80 l/min

LFSC-i35X: 1x13/8", 160 l/min

Ultraclean Non-Invasive Flow Measurement

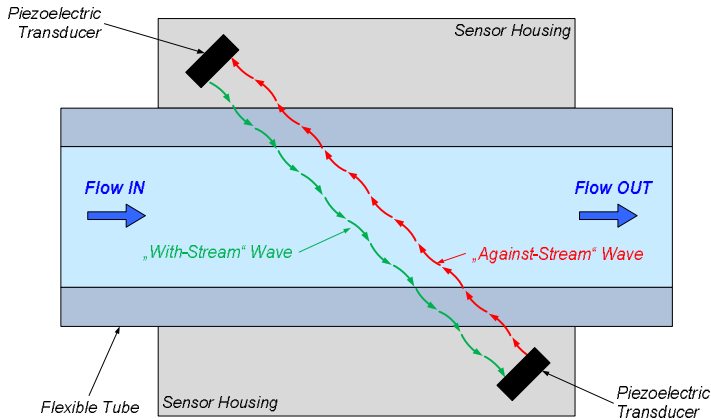


Figure 1: Operating principle of ultrasonic clamp-on flow sensor.

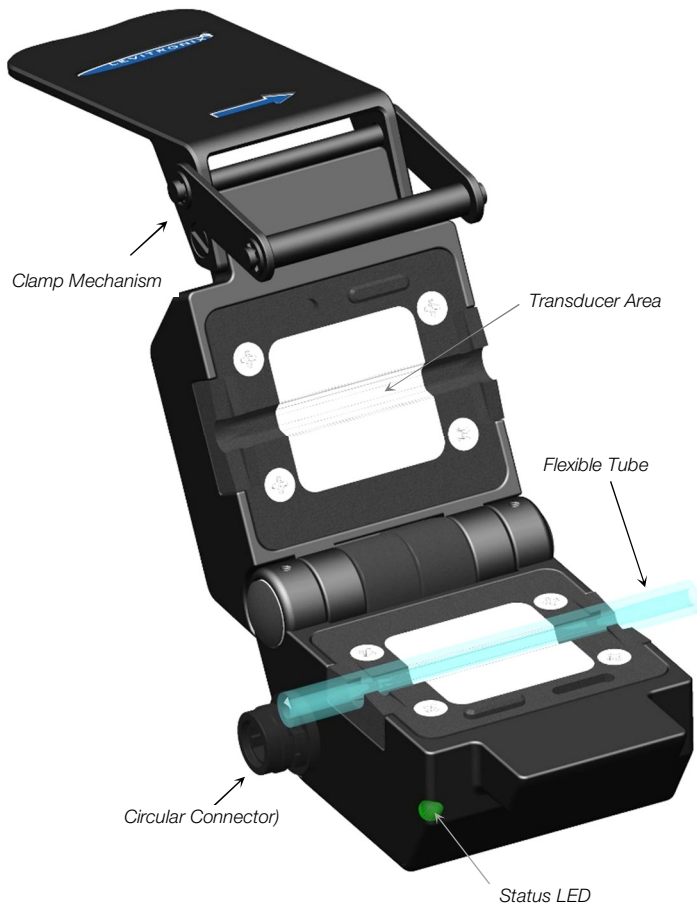


Figure 2: Clamp-on flowmeter

INTRODUCTION

The *LEVIFLOW*[®] clamp-on flowmeter *LFSC-iX* series with integrated converter electronics are designed for high precision and robust non-invasive flow measurements of high purity fluids with flexible tubing.

Figure 1 illustrates the operating principle of a two piezo-electric transducer channel, with the principle of transit time difference of two ultrasonic waves. The *LFSC-iX* series works with a proprietary multiple arrangement of this concept hence achieving a high precision and robust measurement with low dependency on parameters like fluid temperature and pressure. Furthermore, a proprietary hexagonal clamp shape geometry and clamp mechanism allows to achieve high clamping repeatability with very low dependency on pressure.

These clamp on flowmeters can measure flows from the ml range up to 160 l/min. The flowmeters can be operated in various configurations like Stand-Alone operation with a user panel (see Figure 3), operation with a PC and the *Levitronix*[®] *Service Software* (see Figure 4) for debugging, data collection and parameter configuration or operation with an OEM setup (see Figure 5) for easy integration into processing equipment with PLC or fieldbus (RS485 modbus) interface.

SYSTEM BENEFITS

- No contamination due to non-invasive flow measurement
- Low disposable cost (tubing cost only) with reusable sensor
- Low dependency on fluid temperature and pressure.
- Improved bubble robustness.
- Flow control together with *Levitronix*[®] MagLev Pumps
- Easy integration into OEM equipment with low cabling effort due to integrated converter electronics.
- Low pressure loss.
- Integrated and configurable totalizer function.

APPLICATIONS

- High purity liquid processes
- Sterile non-invasive flow measurement in Pharmaceutical manufacturing
- Biotech processes
- Flow control in combination with *Levitronix*[®] MagLev pump systems
- Single-use disposable applications

CONFIGURATIONS

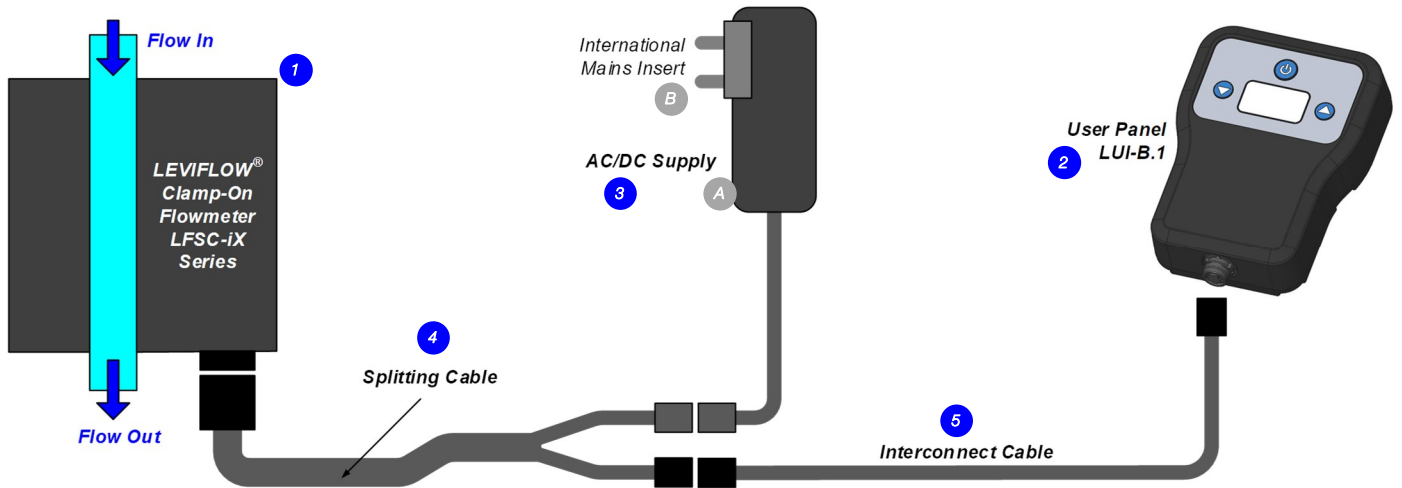


Figure 3: Stand-Alone system configuration
(See section "Order Information" for details to numbered components and other options)

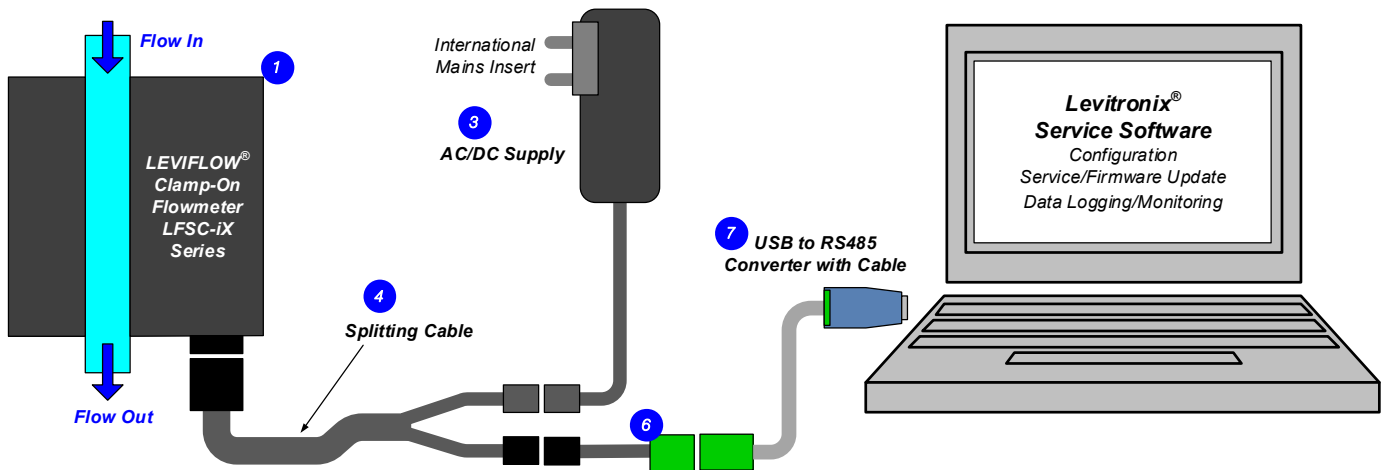


Figure 4: Configuration for PC with Levitronix® Service Software (parameter configuration, Data logging and monitoring)
(See section "Order Information" for details to numbered components and other options)

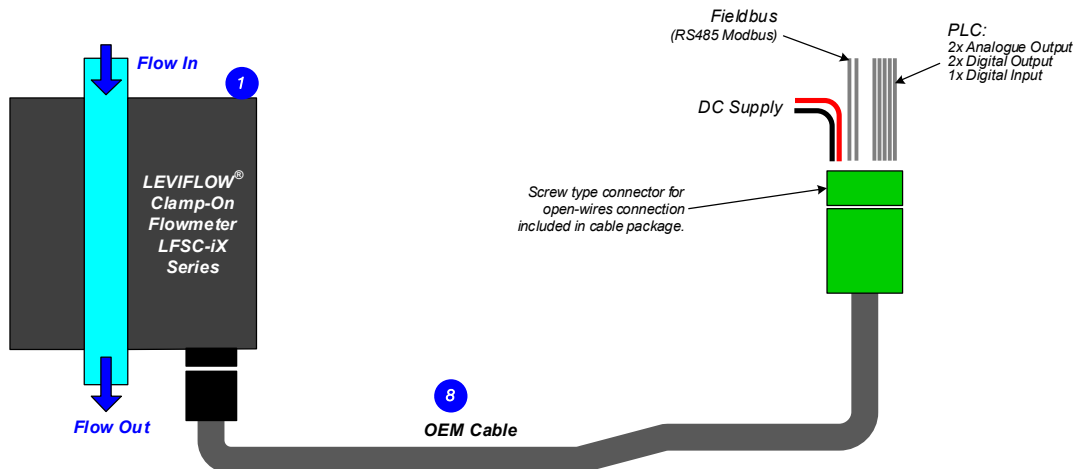


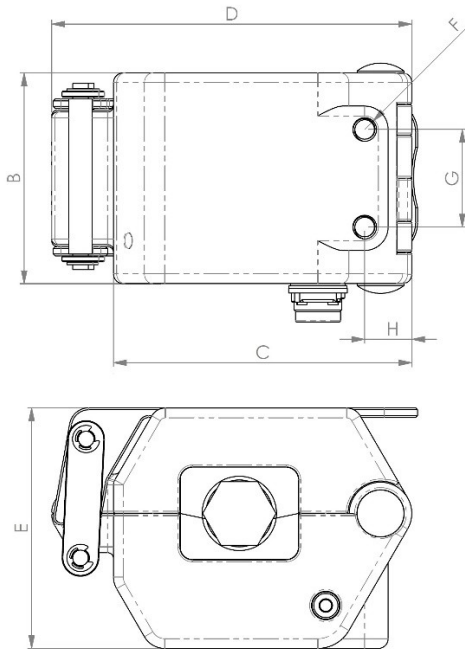
Figure 5: OEM system configuration
(See section "Order Information" for details to numbered components and other options)

SPECIFICATIONS

Characteristics	LFSC-i06X	LFSC-i10X	LFSC-i16X	LFSC-i19X	LFSC-i25X	LFSC-i35X	
Flow Range [l/min]	0 – 1 l/min	0 – 4 l/min	0 – 20 l/min	0 – 50 l/min	0 – 80 l/min	0 – 160 l/min	
Accuracy of Reading ³	> 10% FS < 10% FS	±2 % ±2 ml/min	±1.5 % ±6 ml/min	±1.5 % ±30 ml/min	±1.5 % ±120 ml/min	±1.5 % ±240 ml/min	
Weight	390 g	390 g	480 g	480 g	1090 g	1090 g	
Maximum Fluid Pressure (max. pressure of tube might limit this value)	6.5 bar	6.5 bar	5 bar	5 bar	5 bar	5 bar	
Pressure Drop Coefficient C ²	4.48 at 20°C 4.45 at 37°C	0.0797 at 20°C 0.0793 at 37°C	0.0099 at 20°C 0.0098 at 37°C	0.00185 at 20°C 0.00185 at 37°C	0.000347 at 20°C 0.000345 at 37°C	0.0000948 at 20°C 0.0000943 at 37°C	
Usable Dimensions	ID OD Wall thickness	1/8" = 3.2 mm 1/4" = 6.4 mm 1/16" = 1.6 mm	1/4" = 6.4 mm 3/8" = 9.5 mm 1/16" = 1.6 mm	3/8" = 9.5 mm 5/8" = 15.9 mm 1/8" = 3.2 mm	1/2" = 12.7 mm 3/4" = 19.1 mm 1/8" = 3.2 mm	3/4" = 19.1 mm 1" = 25.4 mm 1/8" = 3.2 mm	1" = 25.4 mm 13/8" = 34.9 mm 3/16" = 4.8 mm
Standard Calibrated Tubes	a: Silicone Pharma ⁵ , compatible with AdvantaSil [®] APHP (High Pressure) ⁴ All calibration sets stored in flowmeter and calibrated at 20°C and 37°C water temperature. Default parameter setting is Silicone Pharma at 37°C.			b: Saint Gobain C-Flex [®] (374) ¹		c: AdvantaFlex [®] (TPE) ⁴	
Fluid / Ambient Temperature	Normal range: 10 – 60 °C (50 – 140 °F)		/	0 – 40 °C (32 – 104 °F)			
Measurable Kin. Viscosity / Sound Speed	0.5 – 100 mm ² /s (0.5 – 100 cSt)		/	1000 – 2000 m/s (others on request)			
Housing: Rating / Main Materials / Cleaning	IP-65		/	PPS/PTFE-like coating/PP		/ Wiping with IPA or water	
Ambient Temp / Humidity Range	0 – 40 °C (32 – 104 °F)		/	15 – 95% (non condensing)			
Electrical Connector / Cables	Circular type (IP-67, lock-release mounting)		/	Various extension/adaptor cables available.			
Supply Voltage / Current / Inrush	12 - 24 VDC ± 10%		/	70 or 120 mA @ 12 or 24 VDC,		/ 0.3 or 0.2 A at 12 or 24 VDC during start-up < 3 ms	
Interfaces	RS485 -> MODBUS protocol 1x Digital Input: Volume Counter Reset or Zero Adjust 2x Digital Outputs: Flow Alarm, Measurement Error, Volume Counter Pulse, Counter Alarm, Flow as Frequency and Bubble Detection.			1x Analog Output 4 – 20mA (0 – 20mA configurable) Status LED			
Configuration Parameters	Low Cutoff, Dampening constant (filter), Full scale setting, Linearization, Alarm Outputs (High and Low Alarm), Volume Counter Settings Note: Available and configurable with RS485/USB converter and service software.						

Table 1: Specifications of flowmeters

Note 1: C-Flex[®] is a registered trademark of Saint Gobain Performance Plastics, 2015. All rights reserved. Note 2: Pressure coefficient is calculated and accounts for the clamp length only.
 Note 3: Accuracy is based on 1x standard deviation for calibration at 20 or 37°C ±3°C liquid temperature and 20°C±5°C ambient temperature with zeroing after clamping. Accuracy does not include tubing variation effects.
 Note 4: AdvantaSil[®] and AdvantaFlex[®] are registered trademarks of NewAge Industries. Note 5: All sensors are calibrated with Pharma 65. LFSC-i25X/35X are compatible with Pharma 80.



Sensor Type	Size Type	Dimensions in [mm]						
		B	C	D	E	F	G	H
LFSC-i06X	1	54	66.3	82.2	51.3	M6 x 6	20	11.1
LFSC-i10X	1							
LFSC-i16X	2	54	76.3	92.2	61.7	M6 x 6	25	12.1
LFSC-i19X	2							
LFSC-i25X	3	80	104.6	120.4	87.1	M8 x 8	41	17.7
LFSC-i35X	3							

Figure 6: Basic dimensions for clamp-on flowmeters

COMPONENTS

Pos.	Part Name	Article #	Tube: ID x OD	Flow Range	Calibration Set and Note
1a	LFSC-i06X-002	100-30485	ID = 1/8"= 3.2 mm OD = 1/4"= 6.4 mm	1 lpm	Water @ 20°C and 37°C Silicon Pharma compatible with AdvantaSil® APHP High Pressure C-Flex® and Advanta Flex TPE Default activated calibration set is Silicone Pharma at 37°C water temperature. Other calibration sets can be chosen with Levitronix® Service Software or with the user panel LUI-B.1
1b	LFSC-i10X-001	100-30477	ID = 1/4"= 6.4 mm OD = 3/8"= 9.5 mm	4 lpm	
1c	LFSC-i16X-001	100-30482	ID = 3/8"=9.5 mm OD = 5/8"=15.9 mm	20 lpm	
1d	LFSC-i19X-001	100-30479	ID = 1/2"=12.7 mm OD = 3/4"=19.1 mm	50 lpm	
1e	LFSC-i25X-001	100-30480	ID = 3/4"=19.1 mm OD = 1"=25.4 mm	80 lpm	
1f	LFSC-i35X-001	100-30481	ID = 1"= 25.4 mm OD = 1 3/8"= 34.9 mm	160 lpm	

Table 2: Standard flow sensor configurations

Pos.	Component	Article Name	Article #	Features	Special Feature / Description
2	User Panel	LUI-B.1-02	100-30473	Description Standard Firmware	Monitoring flow, zeroing and tube set selection. IP65 rating. Basic dimensions: 70x93x23 mm A4.00
3	Desktop AC/DC Power Supply	SMI36-24-V HR30	100-40023	Voltage Output / Input Basic Dimensions Safety Approvals Note	24VDC, 36 W / 90 – 264 VAC, 47-63 Hz 78.5 x 66 x 35 mm, cable length = 1.4 m UL/cUL (60950-1, 62368-1), RCM, CCC, PSE Included are interchangeable AC blades (adaptors) for global usage (B).
4	Y-Split Cable	ICY-1.1-02 (0.2 m)	190-10448	Materials / Dimension Connection In / Out Main Purpose	PVC jacket with TPE split block / 0.2m for one cable side and 0.2m for the 0.2m split cables. Circular Hirose type / 2x Circular Hirose type Split signals to connect flow sensor to power supply and user panel or PC.
5	IPS Cable Signal 6 Wires	ICS-1.1-01 (0.1 m) ICS-1.1-10 (1 m) ICS-1.1-30 (3 m)	190-10343 190-10344 190-10345	Cable Material / Wires Connection In / Out Main Purpose	PVC jacket / 6x 0.08 mm ² and shielding Circular Hirose type / Circular Hirose type Interconnect cable for LUI-B.1 user panel.
6	IPS Cable Signal 6 Wires	ICS-1.3-50 (5 m)	190-10389	Cable Material / Wires Connection In / Out Main Purpose	PVC jacket / 6x 0.08 mm ² and shielding Connector with screw type plug for open wire connection / Circular Hirose type Interconnection cable from Fieldbus of Split-Cable to USB/RS485 adaptor.
7	USB to RS485 Adaptor-TR Isolated	YN-485I-TR	100-30392	Structure/Design Purpose	USB (A) with termination resistor and cable with connector pair (B and C) for external RS485 wire connection. Magnetically isolated. Cable length is 2m. Included is a USB space saver cable (D). Communication over fieldbus of flowmeter with PC
8a	IPS Cable Signal 12 Wires	ICS-2.2-50 (5 m)	190-10446	Cable Material / Wires Connection In / Out Main Purpose	PVC jacket / 12x 0.14 mm ² and shielding Connector with screw type plug for open wire connection / Circular Hirose type Cable for OEM configurations.
8b	IPS Cable Signal 12 Wires	ICS-2.4-50 (5 m)	190-10475	Cable Material / Wires Connection In / Out Main Purpose	PVC jacket / 12x 0.14 mm ² and shielding Connector with screw type plug for open wire connection / Circular Hirose type Cable for OEM configurations with integrated DC source (A) for current output of analog out.

Table 3: Accessories



Figure 7: LEVIFLOW® flowmeter components

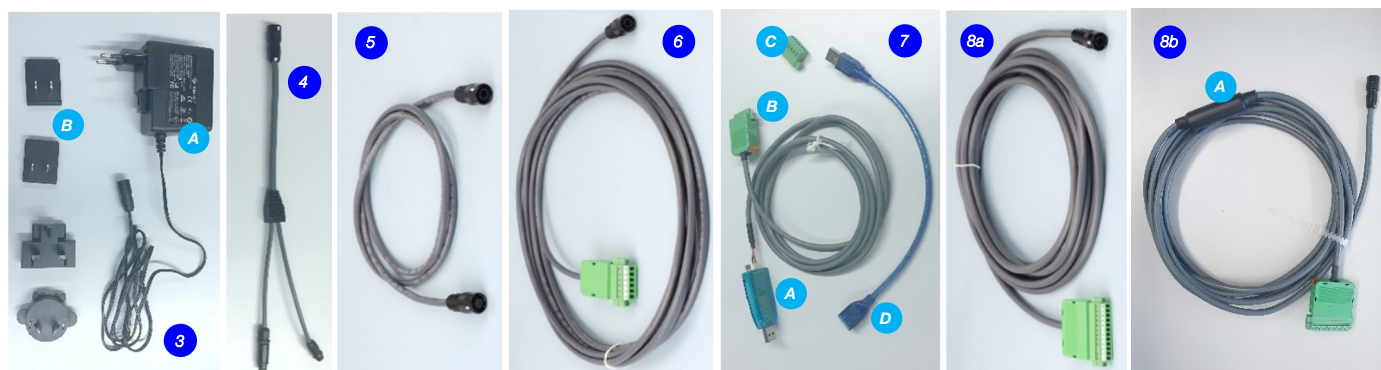


Figure 8: Accessories

Levitronix® is the world-wide leader in magnetically levitated bearingless motor technology. Levitronix® was the first company to introduce bearingless motor technology to the Semiconductor, Medical and Lifescience markets. The company is ISO 9001 certified. Production and quality control facilities are located in Switzerland. In addition, Levitronix® is committed to bring other highly innovative products like the LEVIFLOW® flowmeter series to the market.



Headquarter and European Contact

Levitronix GmbH
Technoparkstr. 1
CH-8005 Zurich
Switzerland

Phone: +41 44 974 4000
E-Mail: salesEurope@levitronix.com

US Contact

Levitronix Technologies Inc.
10 Speen Street, Suite 102
Framingham, Massachusetts 01701
USA

Phone: +1 508 861 3800
E-Mail: salesUS@levitronix.com

Japan Contact

Levitronix Japan K.K.
Wing Eight 5floor, 4-16-4
Asakusabashi, Taito-ku
Tokyo, 111-0053 Japan

Phone: +81 3 5823 4193
E-Mail: salesJapan@levitronix.com

Taiwan Contact

Levitronix Taiwan
5F, No. 251, Dong Sec. 1,
Guangming 6th Rd., Chu Pei City,
Hsin-Chu 302, Taiwan, R.O.C.

Phone: +886 3 657 6209
E-Mail: salesAsia@levitronix.com